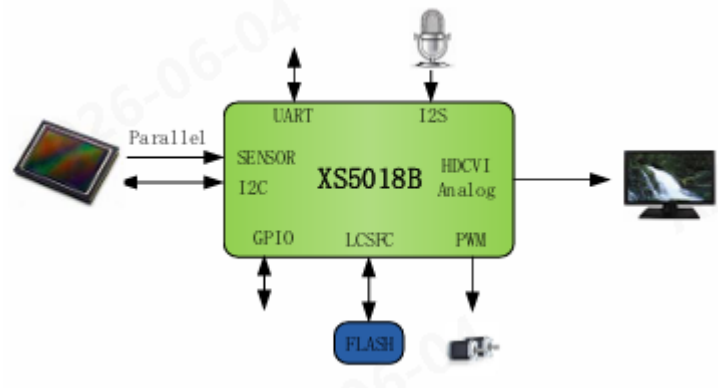


# HIGH QUALITY CMOS ISP

XS5018B is an image signal processing ISP chip designed for CMOS Image Sensor and applied in coaxial high-definition cameras. With a high level of integration for peripheral components to simplify product design. It integrates a high-performance ISP with 3D noise reduction engine, it delivers processing capability up to 1080P@30fps. It supports 1080P@30fps HDcctv output and CVBS video. It also embeds a CPU processor, enabling flexible software applications .

- ⊙ **Built-in video driver**
- ⊙ **960H/720P/960P/1080P**
- ⊙ **1080P@30FPS**
- ⊙ **2D/3DNR**
- ⊙ **Reduced Frame Rate**



- **Video input interface**

- DVP@10bit

- **Audio interface**

- I2S
- HDCVI audio transmission

- **Peripheral**

- POR
- UARTx1
- I2C x1
- SPIx1
- PWMx4
- ADCx2
- JTAG
- Built-in comparator
- Built-in High performance Video DAC Buffer

- **ISP**

- 2DNR
- 3DNR
- DPCC
- DRC
- GIC
- LSC

- AE、AWB

- BLC

- CCM

- Edge Enhanced process

- Reduced Frame Rate

- **Camera Function**

- Scaling and crop

- Mask and OSD

- **DC Characteristics**

- Core voltage: 1.1V

- IO voltage: 3.3V

- Sensor & I2C IO voltage: 1.8/3.3V

- **QFN6X6, 60-pin, 0.35mm pitch**

- **Video output**

960H@25/30fps

720P@25/30/50/60fps

960P@25/30fps

1080P@25/30fps